

SHERPA

S10



TECHNICAL DATA

SHERPA S10



Motor

Driving capacity	40/55 kW / hp
Capacity hydraulics	7.5/10 kW / hp
Adjusted amount of revolutions	3000 rpm

Drive system

4 electric wheel motors

Max. speed Turtle

0-7 (proportional) km/h*

Max. speed Hare

0-15 (proportional) km/h*

Capacity data

	Turtle	Hare
Breakout force	795 kg	795 kg
Tractive force	1430 kg*	1430 kg*
Werkhydrauliek	25 l/min - 150 bar	25 l/min - 150 bar
Hydraulic tank capacity	24 l	

Tires

Standard	5.70x12
Wide	24x13.00-12NHS

Brakes

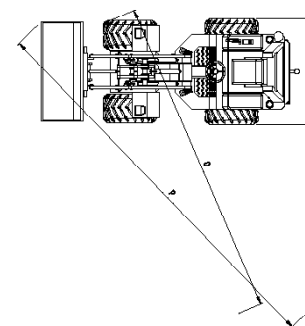
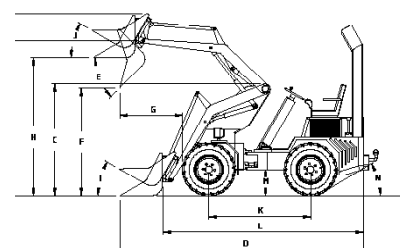
Braking system	Electric
Service brake	Electric

Steering

Articulated steering

Steering angle

45°



Dimensions in mm on standard tyres

A Maximum height with bucket up	2490	J Bucket angle high	38°
B Height hinge point coupling plate	2190	K Wheelbase	1187
C Maximum height with bucket low	1290	L Length to coupling plate	2310
D Length + bucket	2960	M Ground clearance	255
E Bucket angle when dumping	38°	N Rear Angle	42°
F Height underside of the bucket when dumping	1640	O Turning radius	2195
G Length from front wheel to bucket when dumping	685	P Turning radius with bucket	2335
H Height bucket horizontally	1985	Q Width	760
I Bucket angle low	31°	R Height ROPS	2210
		R Height ROPS folded	1610

* Depending on choice of tyres

specifications and features are subject to change without notice

TECHNICAL DATA

SHERPA S10

Oscillating system

Oscillating angle

16°

Turning circle

Anticlockwise 4460; Clockwise 4140

Electrical system

Voltage

96 V

Battery capacity

24 kWh

Dimensions (L mm x B mm x H mm, without bucket):

Standard

2359 x 760 x 2218

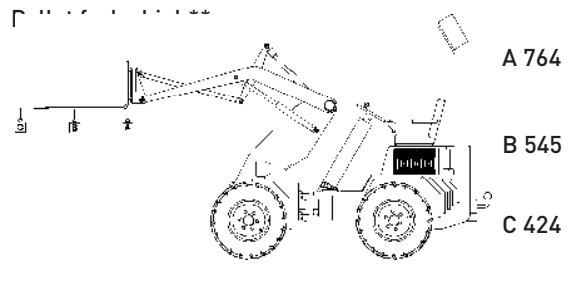
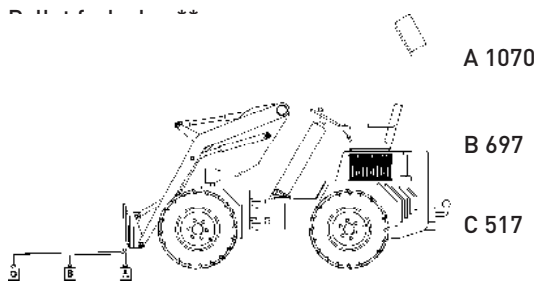
Wide

2359 x 1112 x 2218

Kerb weight

1050 kg (incl. counterballast of 47kg & standard tires)

Tipping loads (kg)*:



* Including driver 75kg

** Consider a safety factor of 30%

SHERPA S10

The perfect articulated loader for smaller spaces! The S10 is based on the SHERPA 150, but is fully electric and even more powerful. This machine is equipped with a strong yet maintenance-free lithium-ion battery, that has a particularly long lifespan. Therefore the S10 can be used for a full workday! The machine also has hydraulic quick lock and an even higher tractive force than the SHERPA 150. Finally, the S10 is only 76 centimetres wide when fitted with the standard tyres.

More information?

Call us +31 412 61 33 44

Canadabaan 14 | 5388 RT Nistelrode | www.sherpaminiloaders.com

